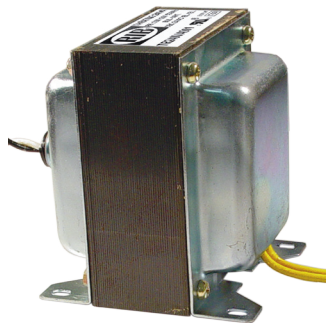
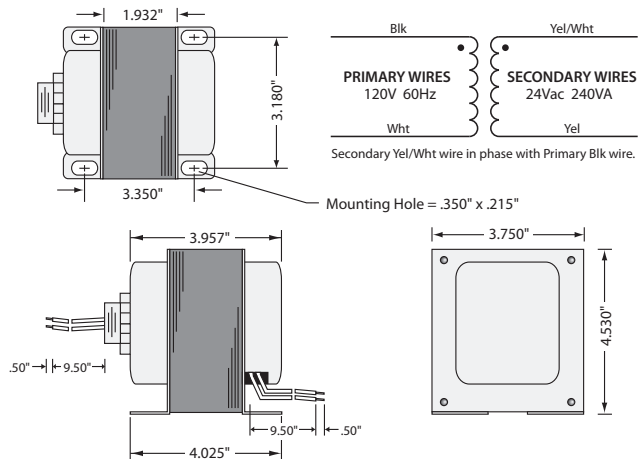


TR240VA001

Transformer 240 VA, 120 to 24 Vac, Foot and Single Threaded Hub Mount with Bottom Opening

Transformer



Specifications

- VA Rating:** 240
- Frequency:** 50/60 Hz
- Mounting:** Foot & Single Threaded Hub
- Over Current Protection:** None
- Dimensions:** 3.957" x 3.750" x 4.530" (w/ .500" NPT Hub)
- Wire Length:** 9.5" Typical w/ .5" Strip
- Operating Temperature:** -30 to 140° F
 - MTBF:** 100,000 Hours @ 77° F
- Construction:** Split-Bobbin
- Weight:** 8.60 lbs.
- Approvals:** UL5085-2 Listed General Purpose, C-UL, CE, RoHS